

NORMAND

DUMP TRAILER



1920



1930



1950



1970



1980



1990



2980



3016

Quality - Sturdiness - Reliability

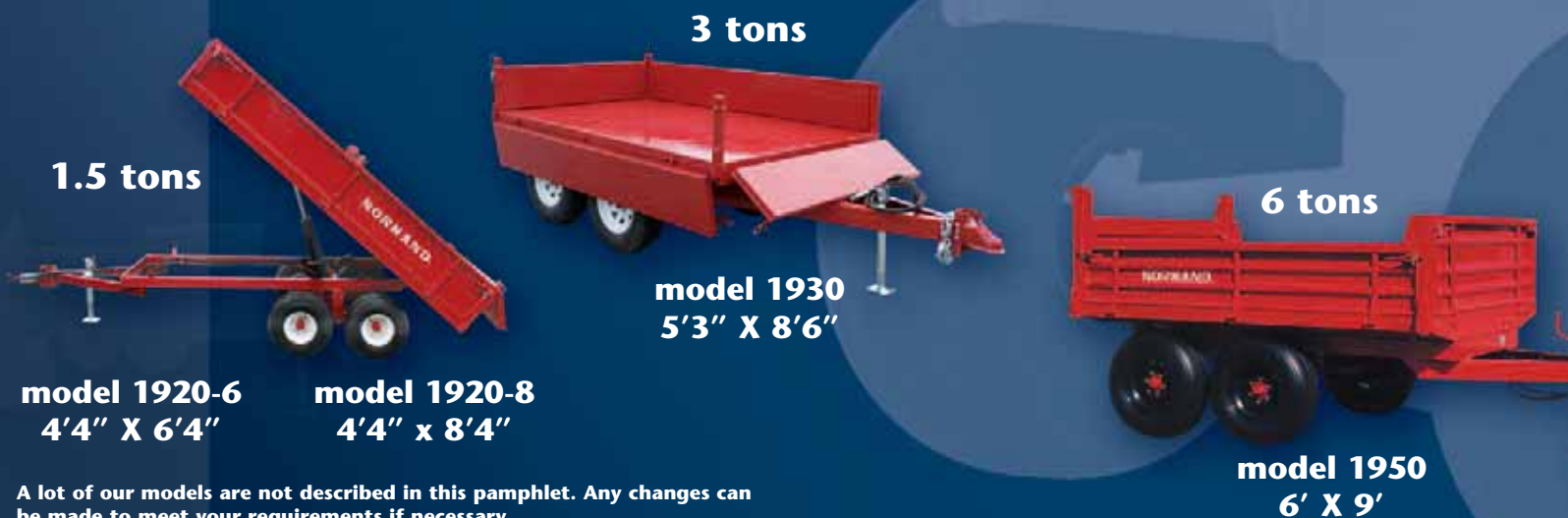
NORMAND

GENERAL SPECIFICATIONS

MODEL	3016 *	1990	2980	1980	1970
Capacity	15 tons	15 tons	13 tons	12 tons	8 tons
Weight (approx.)	7000 lbs (3175 kg)	6834 lbs (3100 kg)	5058 lbs (2294 kg)	4082 lbs (1090 kg)	2403 lbs (1090 kg)
Cubic capacity	532 cu. ft.	213/426/639 cu. ft.	178/356/534 cu. ft.	145/290/435 cu. ft.	60/86 cu. ft.
Load size	19,7 cu. yards 85"x189" (2159x4801 mm)	7,9/15,8/23,7 cu. yards 92"x188" (2337x4775 mm)	6,6/13,2/19,8 cu. yards 88"x164" (2235x4166 mm)	5,4/10,8/16,1 cu. yards 84"x144" (2134x3658 mm)	2,2/3,2 cu. yards 56"x116" (1422x2946 mm)
Platform Thickness	1/4" hardox 450	1/4"	1/4"	1/4"	3/16"
Overall width	99" (2514 mm)	100" (2540 mm)	96" (2438 mm)	92" (2337 mm)	87 ^{1/2} " (2223 mm)
Overall height	108" (2743 mm)	80 ^{1/4} " (2038 mm)	79" (2007 mm)	70 ^{1/4} " (1784 mm)	66 ^{1/2} " (1689 mm)
Side panel	56" (1442 mm)	21 ^{1/4} " (540 mm)	21 ^{1/4} " (540 mm)	21 ^{1/4} " (540 mm)	16" (406 mm)
Front and rear panel	56" (1442 mm) *	21 ^{1/4} " (540 mm)	21 ^{1/4} " (540 mm)	21 ^{1/4} " (540 mm)	23" (584 mm)
Height platform to ground	52 ^{1/2} " (1333 mm)	49 ^{1/2} " (1257 mm)	48 ^{1/4} " (1226 mm)	39 ^{1/2} " (1003 mm)	35 ^{1/4} " (895 mm)
Overall length	265" (6731 mm)	255" (6477 mm)	248" (6299 mm)	219" (5563 mm)	176" (4470 mm)
Tread	71 ^{1/2} " (1816 mm)	70" (1778 mm)	69" (1753 mm)	72" (1829 mm)	76" (1930 mm)
Spindle	3 ^{1/2} " (89 mm) amovible	3" (76 mm)	3" (76 mm)	2 ^{3/4} " (70 mm)	2 ^{1/4} " (57 mm)
Axle	tandem	tandem	tandem	tandem	tandem
Hub (bolts qty)	8	8	8	8	6
Hub capacity	7500 lbs (3402 kg)	7500 lbs (3402 kg)	7500 lbs (3402 kg)	6100 lbs (2767 kg)	6000 lbs (2721 kg)
Tandem spindle bolt	2 ^{1/8} " (54 mm)	2 ^{1/8} " (54 mm)	2 ^{1/8} " (54 mm)	1 ^{13/16} " (46 mm)	1 ^{13/16} " (46 mm)
Wheels	W18Cx16.1	W18Cx16.1	W14Cx16.1 W18Cx16.1 (option)	10,00x15"	8,00x15"
Tires	21,5x16,1	21,5x16,1	16,5x16,1 21,5x16,1 (option)	12,5x15	11Lx15
Cylinder	tel. -3 sections **	tel. -3 sections **	tel. -3 sections	tel. -3 sections	3"x16" **
Cylinder	1 simple action	1 simple action	1 simple action	1 simple action	2 double action
Oil volume	4,5 gal. (20,5 lt)	4,5 gal. (20,5 lt)	3,8 gal. (17,3 lt)	3,3 gal. (15 lt)	
Dumping angle	53 deg.	50 deg.	50 deg.	47 deg.	45 deg.
Extra side panels		21 ^{1/4} " (540 mm)	21 ^{1/4} " (540 mm)	21 ^{1/4} " (540 mm)	21 ^{1/4} " (540 mm)
Post for wood extension		9 ^{1/2} " ; 21 ^{1/4} " ; 30" (241 ; 540 ; 762 mm)	9 ^{1/2} " ; 21 ^{1/4} " ; 30" (241 ; 540 ; 762 mm)	9 ^{1/2} " ; 21 ^{1/4} " ; 30" (241 ; 540 ; 762 mm)	
Coupling height	16" à 22" (406 à 559 mm)	16" à 22" (406 à 559 mm)	16" à 22" (406 à 559 mm)	20" (508 mm)	18" (457 mm)
Free height (lifting up)	31" (787 mm)	30" (762 mm)	33" (838 mm)	22" (559 mm)	7" (178 mm)
Grain door	standard	standard	standard	standard	option
Adjustable coupler	standard	standard	standard	option	
Swivel coupler (clevis)	standard (HD)	standard	standard	standard	standard
2" Ball coupler					
Electric brakes				option	option
Hydraulic brakes	option	option	option	option	option
Mechanical jack		standard	standard	standard	standard
Hydraulic jack	standard	option	option	option	
Hydraulic hand pump (box)					
Electric pump (box)					option

* none removable panels **cylinder under the platform

N.B. : Subject to change without notice or obligation.



1.5 tons
model 1920-6
4'4" X 6'4"

3 tons
model 1920-8
4'4" x 8'4"

3 tons
model 1930
5'3" X 8'6"

6 tons
model 1950
6' X 9'

A lot of our models are not described in this pamphlet. Any changes can be made to meet your requirements if necessary.

15 tons



**model 3016
8' X 16'**

15 tons



**model 1990
8' X 16'**

13 tons



**model 2980
7'8" X 14'**

1950	1930	1920-6 1920-8
6 tons	3 tons	1 ^{1/2} tons
2195 lbs (996 kg)	1420 lbs (644 kg)	705/866 lbs (320/398 kg)
65/94 cu. ft.	38 cu. ft.	25/33 cu. ft.
2,4/3,5 cu. yards	1,4 cu. yards	0,9/1,2 cu. yards
68"x104" (1727x2642 mm)	60"x99" (1524x2515 mm)	49"x73" (1245x1854 mm) 49"x97" (1245x2464 mm)
3/16"	10 ga	11 ga
76" (1930 mm)	65 ^{1/2} (1663 mm)	54" (1372 mm)
67 ^{3/4} " (1721 mm)	46 ^{1/2} " (1181 mm)	36" (914 mm)
16" (406 mm)	14" (355 mm)	12" (305 mm)
23" (584 mm)	14" (355 mm)	12" (305 mm)
36 ^{1/2} " (927 mm)	30 ^{1/2} " (774 mm)	24" (610 mm)
158" (4013 mm)	152" (3861 mm)	108/134" (2743/3353 mm)
59" (1499 mm)	50 ^{1/4} " (1276 mm)	39 ^{1/2} " (1003 mm)
1 ^{7/8} " (48 mm)	1 ^{3/4} " (45 mm)	1 ^{5/8} " (41 mm)
tandem	tandem	tandem
6	5	5
3600 lbs (1663 kg)	1750 lbs (794 kg)	1250 lbs (567 kg)
1 ^{13/16} " (46 mm)	1 ^{3/16} " (30 mm)	1 ^{3/16} " (30 mm)
6,00x15"	6,00x15"	18,5x8,5"
8,00x15"		
9,5Lx15	7,60x15	8,00x7"
11Lx15		
4"x24" **	3 ^{1/2} "x24" **	3"x12"/3"x16" **
1 double action	1 double action	1 simple ou double action
50 deg.	45 deg.	45 deg.
21 ^{1/4} " (540 mm)	14" (355 mm)	12" (305 mm)
20" (508 mm)	17 ^{1/4} " (438 mm)	13" à 18" (330 à 457 mm)
16 ^{1/2} " (419 mm)	16 ^{3/4} " (425 mm)	10" (254 mm)
option		
standard	standard	standard
	option 2 ^{7/16} "	option 1 ^{7/8} "-2"
option		option
option		option
standard	standard	standard
option	option	option
	option	option

8 tons



**model 1970
5' X 10'**

12 tons



**model 1980
7'4" X 12'**

With more than 150 years experience, NORMAND Co. Ltd is a leading manufacturer of farm equipment.

NORMAND dump trailers are available in more than 9 models from 1,5 tons to 15 tons.

Built with first quality materials, the NORMAND trailers are well-known for their advanced technical design. They are recognized for their quality. They will withstand the hardest work.

The platforms are made of 3/16", 1/4" steel or 1/4 hardox 450 plate reinforced with many cross members and are strong enough to avoid deformation and breakage due to twisting when used on bad roads and in bad lifting conditions.



Strong removable posts with conical lower tips insuring great rigidity even without panels.



Large capacity grain door



Tandem axle : Decentralized walking beam distributes more weight on the back wheels and reduces wheel skidding in sharp turns.



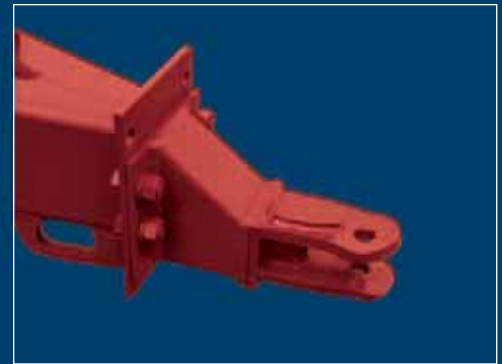
Automatic opening and closing mechanism in the rear panel.



Sturdy NORMAND'S hydraulic jack



Sturdy NORMAND's mechanical jack easy to use.



Adjustable swivel coupler (clevis type)

NORMAND WARRANTY

Every NORMAND product is guaranteed against manufacturing and raw material defects (excluding tires, hubs, wheels, engines and hydraulic cylinders which are covered by the OEM warranty) for a full year from the date of purchase, provided that said product has not been modified or abused in any way. We will replace or repair any defective part at no cost if they are returned F.O.B. at our plant in Saint-Pascal-de-Kamouraska, Quebec. Our obligations are limited to the replacement and/or repair of the defective part.



Co. Ltd

Normand Co. Ltd

340, Tache Street
Saint-Pascal (Quebec)
Canada G0L 3Y0

Phone: (418) 492-2712

1-888-666-7626

1-888-6NORMAN

Fax: (418) 492-9363

E-mail: normand@cienormand.com

Web site: www.cienormand.com



Some illustrations may include options. The illustrations, features and weights are approximate and without commitment. We reserve the right to make all changes for improvement.

DEALER